

PROACT.



REFERENCE : PA151

SIZES : S_M_L_XL_XXL_3XL_4XL

COMPOSITION :

Main fabric : Ring spun Cotton single jersey - 185 For solid colors 100%cotton

Main fabric : Ring spun Cotton / Viscose single jersey 90/10 - 185 For melange colors 90%cotton / 10%viscose

WEIGHT :

Main fabric : 185 gsm

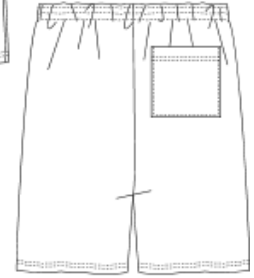
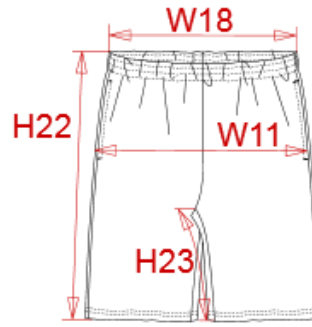
Main fabric : 185 gsm

FABRIC CONSTRUCTION AND FINISHING :

Low shrinkage

ARTICLE WEIGHT :

180gr/pc



DESCRIPTION
Français : Short homme jersey
English : Men's jersey shorts
Nederlands : Heren short in jersey
Deutsch : Jersey herren short
Español : Short de jersey
Italiano : Pantaloncini uomo in jersey
Português : Calção jersey

COLORS	PANTONE SERIGRAPHIE
Black	Black
Navy	296C
Red	200C
Light royal blue	7685C
Oxford grey	-

MEASUREMENT							
Description	S	M	L	XL	XXL	3XL	4XL
W18 1/2 taille élastiquée / 1/2 elasticated waist	33	35	37	40	43	46	50
W11 1/2 bassin / 1/2 hip width	49	52	55	58	61	64	68
H22 Longueur côté / Side length	49,25	50,50	52	53,50	55	56,25	58
H23 Longueur entrejambe / Inside leg length	23,50	24,30	25,10	25,90	26,70	27,50	28,20

CARE LABEL				
For solid color		For solid colors		For Cotton

For heather color		For heather colors		For Cotton/Viscose

PACKING	
Box	25 pcs / box S => L:58cm W:38cm H:20cm GW:5.73kg NW:4.35kg M => L:58cm W:38cm H:20cm GW:5.98kg NW:4.60kg L => L:58cm W:38cm H:20cm GW:6.35kg NW:4.97kg XL => L:58cm W:38cm H:20cm GW:6.71kg NW:5.33kg XXL => L:58cm W:38cm H:20cm GW:7.08kg NW:5.70kg 3XL => L:58cm W:38cm H:20cm GW:7.37kg NW:5.99kg 4XL => L:58cm W:38cm H:20cm GW:7.83kg NW:6.45kg