

# KARIBAN

**REFERENCE :** K885

**SIZES :** U

**COMPOSITION :**

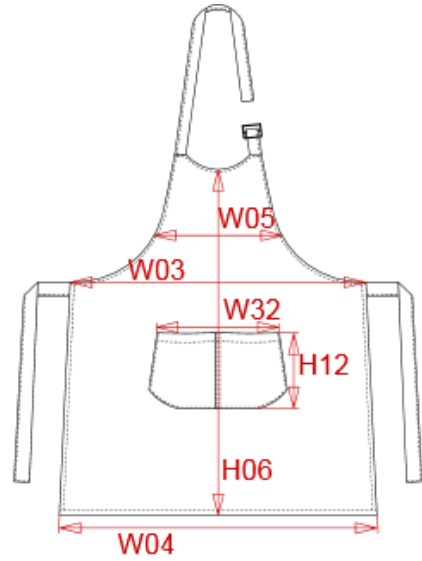
Main fabric : Gabardine 280 100%cotton  
 Fabric 1 : Cotton denim 280 100%cotton

**WEIGHT :**

Main fabric : 280 gsm  
 Fabric 1 : 280 gsm

**ARTICLE WEIGHT :**

20 gr/pc



DESCRIPTION	
<b>Français :</b> Tablier de sommelier	
<b>English :</b> Apron	
<b>Nederlands :</b> Kelnersshort	
<b>Deutsch :</b> Kelner schürze	
<b>Español :</b> Delantal	
<b>Italiano :</b> Grembiule	
<b>Português :</b> Avental com peito	

MEASUREMENT	
Description	U
<b>H06</b> Hauteur milieu devant / Middle front length	90
<b>W03</b> Largeur taille / Waist width	76
<b>W05</b> Largeur poitrine / Chest width	37
<b>W04</b> Largeur bas / Bottom width	81
<b>H12</b> Hauteur poche / Pocket height	20
<b>W32</b> Largeur haut de poche devant / Top pocket width	31,50

CARE LABEL	

PACKING	
Box	50 pcs / box U => L:51cm W:42.5cm H:22cm GW:14.85kg NW:13.50kg

COLORS	PANTONE SERIGRAPHIE
Black	Black
Wine	7645C
Bottle green	567C
Beige	7530C
Burnt orange	7580C
White	White
Red	200C
Dark grey	432C
Chocolate	439C
Kelly green	7727C
Navy	296C
Lagoon	2915C
Green olive	417C
Yellow	109C
Royal blue	287C
Lime	367C
Light grey	416C
Dark pink	210C
Tropical blue	2185C
Purple	7447C
Denim	Denim