

KARIBAN

REFERENCE : K656

SIZES : S_M_L_XL_XXL_3XL_4XL

COMPOSITION :

Fabric 1 : Bonded Micro Polyester Pongee / Polyester jersey - 230 100%polyester

Lining : Polyester micropolar fleece - 180 For top of body lining and inner hood 100%polyester

Wad 1 : Polyfil 135 For top of body lining 100%polyester

Lining 2 : Taffeta Polyester 210T - 60 For bottom of body lining (quilted part), sleeve lining, pocket sacks and cuff assembling. 100%polyester

Padding : Polyfil 100 For bottom of body lining (quilted part) and sleeve lining, inner hood and inner collar 100%polyester

WEIGHT :

Fabric 1 : 230 gsm

Lining : 180 gsm

Wad 1 : 135 gsm

Lining 2 : 60 gsm

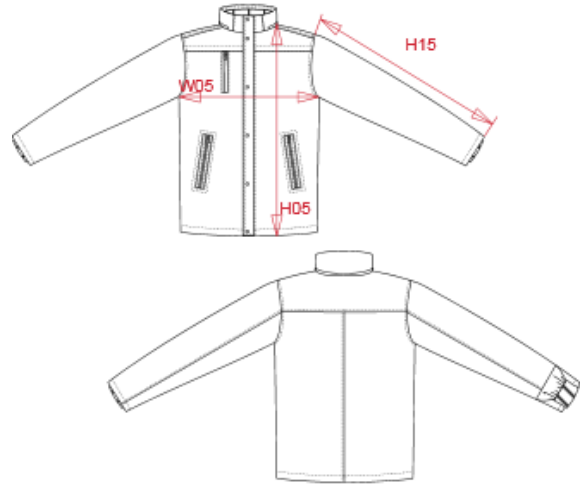
Padding : 100 gsm

FABRIC CONSTRUCTION AND FINISHING :

Pongee bonded

ARTICLE WEIGHT :

1420 gr/pc



DESCRIPTION	
Français :	Parka avec capuche amovible
English :	Removable hooded Parka
Nederlands :	Parka met afneembare capuchon
Deutsch :	Parka mit abnehmbarer Kapuze
Español :	Parka con capucha desmontable
Italiano :	Parka con cappuccio removibile
Português :	Parka com capuz amovível

COLORS	PANTONE SERIGRAPHIE
Black	Black

MEASUREMENT							
Description	S	M	L	XL	XXL	3XL	4XL
H05 Hauteur totale / Total height	84	86	88	90	92	94,75	96,75
W05 1/2 largeur poitrine / 1/2 chest width	58	61	64	67	70	74	77
H15 Longueur manche / Sleeve length	67	69	71	73	75	77,75	79,75

CARE LABEL				

PACKING	
Box	10 pcs / box S-M => L:60cm W:42cm H:44cm GW:14.00kg NW:12.50kg L-XL => L:66cm W:45cm H:44cm GW:15.10kg NW:13.60kg XXL-4XL => L:74cm W:48cm H:44cm GW:16.70kg NW:15.20kg